

BUCAL

LOCATION SITE

Solemar del Pansol

PANSOL

South Vile

To Guayab

Baretta Elementary School


LAGUNA HILLS

VILLA AGOS

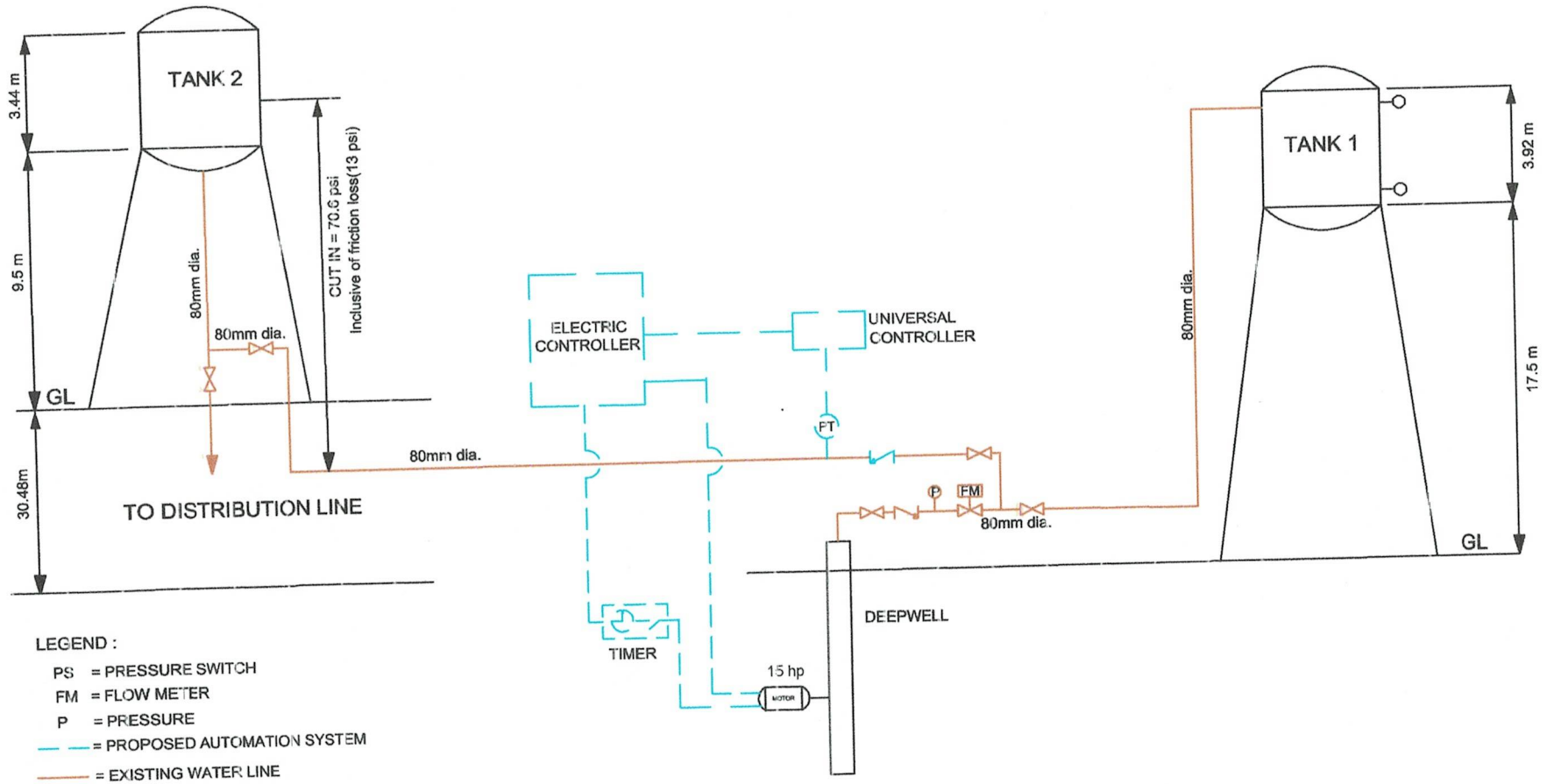
MUNTE VISTA RESORT

LOCATION PLAN

SCALE: NTS

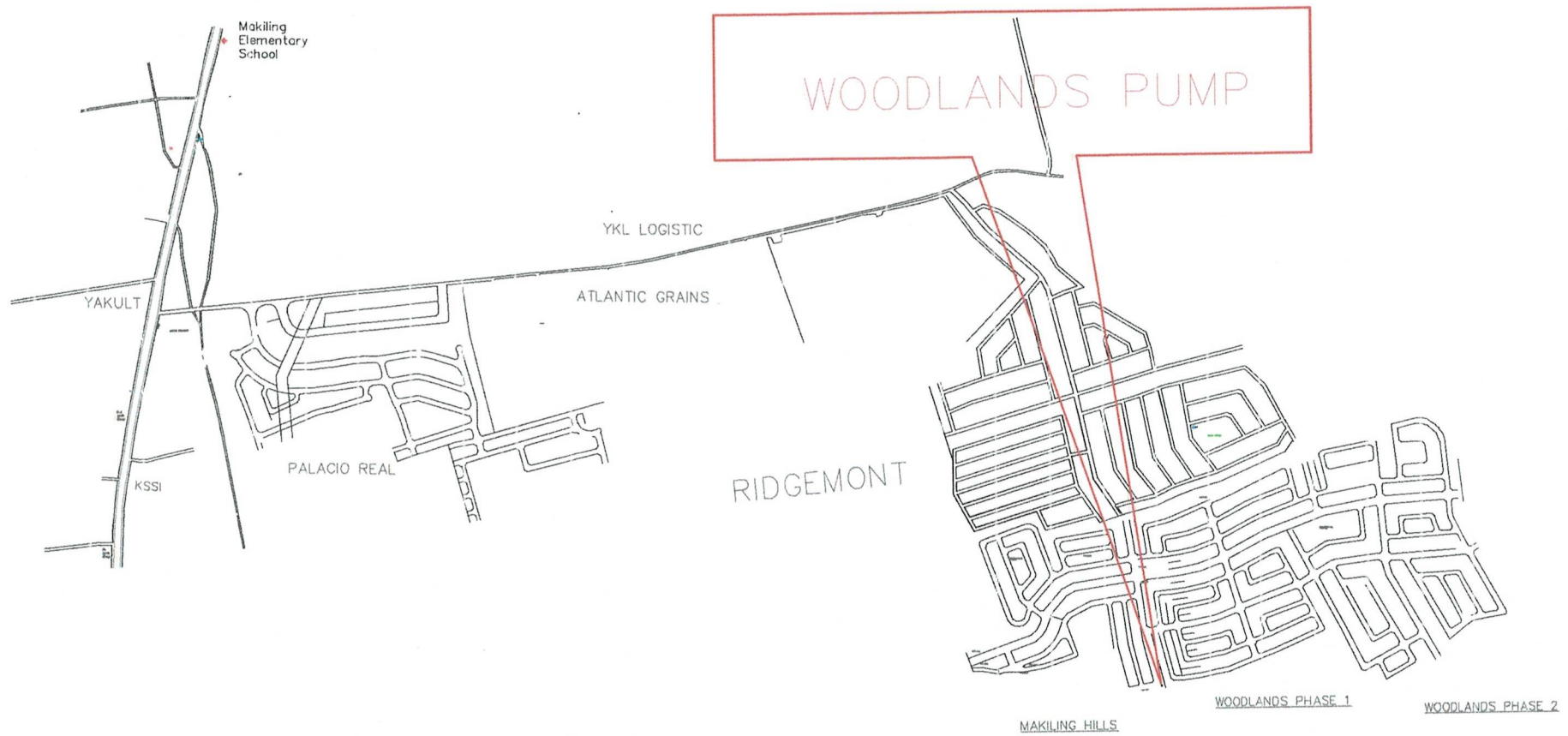
COMPANY  CALAMBA WATER DISTRICT ENGINEERING DEPARTMENT PLANNING AND DESIGN DIVISION ADDRESS: HALANG, CALAMBA CITY	PROJECT TITLE: PRESSURE TRANSMITTER CONTROL SYSTEM	AUTOCAD BY: MR. FERNANDO H. ARELLANO JR.	SHEET CONTENT: AS INDICATED ABOVE	DATE: 3-18-2020
	LOCATION: Brgy. Pansol, Calamba City	DESIGNED BY: MR. FERNANDO H. ARELLANO JR.		RECOMMENDED BY: ENGR. RANELY S. CARTAGO
		CHECKED BY: ENGR. RANELY S. CARTAGO		
		APPROVED BY: MR. EXEQUIEL AGUILAR JR.		

LAGUNA HILLS WATER SYSTEM SCHEMATIC DIAGRAM



COMPANY CALAMBA WATER DISTRICT ENGINEERING DEPARTMENT PLANNING AND DESIGN DIVISION ADDRESS: HALANG, CALAMBA CITY	PROJECT TITLE: PRESSURE TRANSMITTER CONTROL SYSTEM LOCATION: Brgy. Pansol, Calamba City	AUTOCAD BY:	MR. FERNANDO H. ARELLANO JR.	SHEET CONTENT: AS INDICATED ABOVE	DATE:	3-18-2020
		DESIGNED BY:	MR. FERNANDO H. ARELLANO JR.		CHECKED BY:	ENGR. RANELY S. CARTAGO
		RECOMMENDED BY:	ENGR. RANELY S. CARTAGO	<i>[Signature]</i>		
		APPROVED BY:	MR. EXEQUIEL AGUILAR JR.			

This design or drawing is the sole property of Calamba Water District. No part of this design or drawing may be reproduced or transmitted in any form or by any means without the written consent of its owner.



LOCATION PLAN
SCALE: NTS



CALAMBA WATER DISTRICT
ENGINEERING DEPARTMENT
PLANNING AND DESIGN DIVISION

LAKEVIEW SUBD., HALANG, CALAMBA CITY

PROJECT TITLE:
PRESSURE TRANSMITTER CONTROL SYSTEM

LOCATION:
Brgy. Makiling, Calamba City

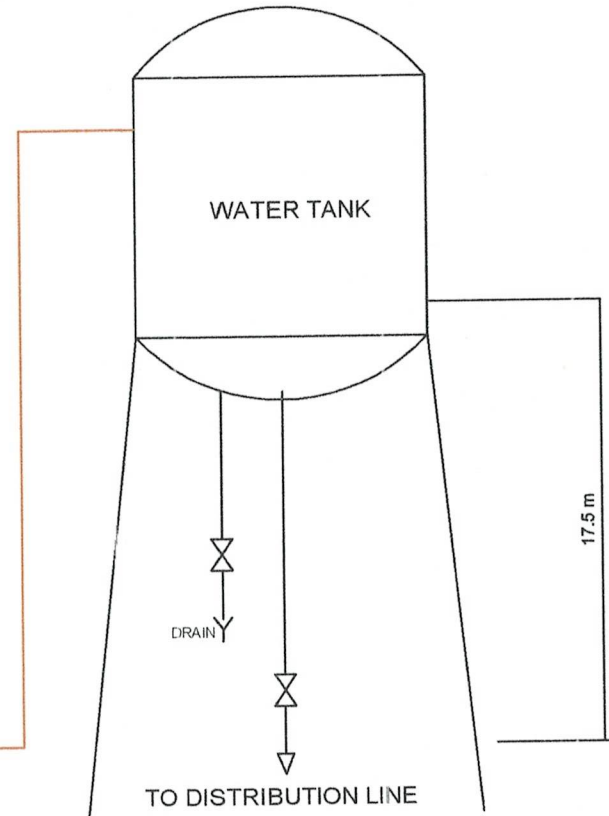
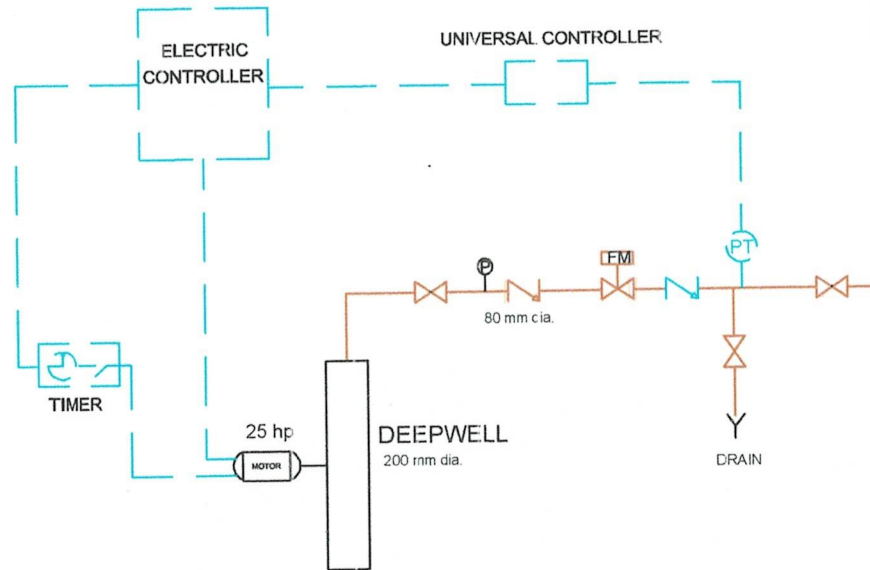
AUTOCAD BY: MR. FERNANDO H. ARELLANO JR.
DESIGNED BY: MR. FERNANDO H. ARELLANO JR.
CHECKED BY: ENGR. RANELYN S. CARTAGO
RECOMMENDED BY: ENGR. RANELYN S. CARTAGO
APPROVED BY: MR. EXEQUIEL AGUILAR JR.

SHEET CONTENTS:
AS INDICATED ABOVE

DATE:
3-19-2020

SHEET NO.
WL - 1

MAKILING HILLS - WOODLANDS WATER SYSTEM SCHEMATIC DIAGRAM



LEGEND :

- PS = PRESSURE TRANSMITTER
- FM = FLOW METER
- P = PRESSURE GAUGE
- = PROPOSED AUTOMATION SYSTEM
- = EXISTING WATER LINE



CALAMBA WATER DISTRICT
ENGINEERING DEPARTMENT
PLANNING AND DESIGN DIVISION

3/17 Public Service
LAKEVIEW SUBD., HALANG, CALAMBA CITY

PROJECT TITLE:
PRESSURE TRANSMITTER CONTROL SYSTEM

LOCATION:
Brgy. Makiling, Calamba City

AUTOCAD BY: MR. FERNANDO H. ARELLANO JR.

DESIGNED BY: MR. FERNANDO H. ARELLANO JR.

CHECKED BY: ENGR. RANELYN S. CARTAGO

RECOMMENDED BY: ENGR. RANELYN S. CARTAGO

APPROVED BY: MR. EXEQUIEL AGUILAR JR.

SHEET CONTENTS:
AS INDICATED ABOVE

DATE:
3-19-2020

SHEET NO.
WL - 2